

### Supreme Series

Rosebud's Supreme Series is the epitome of the cabinet-makers craft – premium joinery, plywood construction and full custom capabilities. Rosebud Supreme Series is “custom cabinetry” in the truest sense... yet surprisingly and delightfully affordable.

### Face Frames

Rosebud's Supreme Series cabinet frames are 3/4" x 1 1/2" kiln dried solid wood construction. The frame stiles and rails are pocket drilled utilizing a screw system and secured with self-boring steel screws and adhesive.

### Cabinet Sides

Cabinet sides are constructed with 3/4" plywood. The interior and exterior are stained with a color that is compatible to the cabinet front.

Exposed finished ends are flush with the face frame.

Cabinet sides are doweled to receive tops, bottoms and backs.

### Tops and Bottoms

Cabinet tops and bottoms are 3/4" plywood. Wall cabinets are stained on both sides with a color that is compatible to the cabinet front. Base

cabinets are stained on the floor surface and have two full width 4 1/2" wide lateral supports on the top. The cabinet top and bottom is doweled into the cabinet sides. The cabinet floor of both wall and base cabinet is flush with the face frame.

### Backs

Cabinet backs are made of 1/4" plywood stained on the interior with a color compatible to the cabinet face. The back fits into the cabinet side dados. All joints are secured with pin nails and adhesive. The hanging rails, are concealed behind the cabinet back and sides.

### Shelves

Cabinet shelves are constructed of 3/4" plywood with wood edge banding applied to one long edge. Shelves are stained to be compatible with the cabinet face.

### Toe Kicks and Toe Board

Cabinet toe kicks are 3" deep x 4 1/2" tall. Toe board is recommended to complete installation and stained in a color that is compatible with the cabinet face.

### Drawers and Roll Trays

Rosebud's drawers and roll trays are four-sided dovetail joint construction made of 5/8" hardwood. Bottoms are 1/4" hardwood plywood compatible with drawer sides and are fully captive within drawer sides and ends.

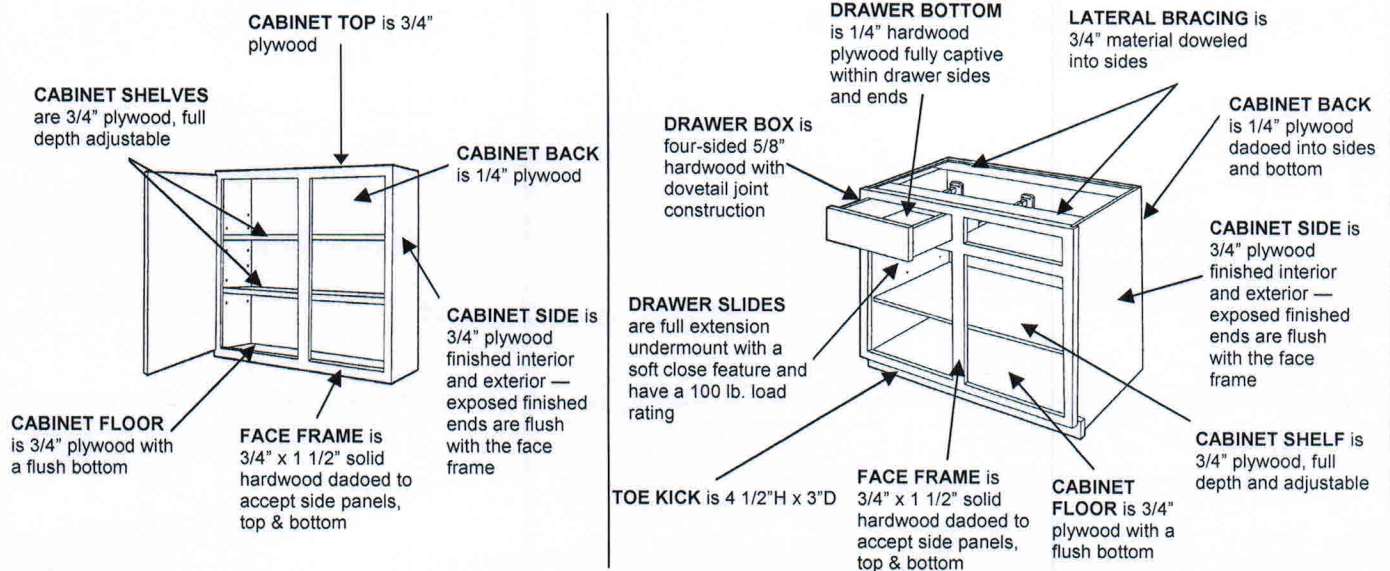
### Drawer Slides

The drawer slides are full extension undermount with a soft close feature. They are rated for 100-pound loads.

Rollout trays utilize a side mount full extension drawer slide.

### Finish

The Supreme Series is precision sanded and finished in Rosebud's Custom Finish area, where each piece is given individual attention to provide the best possible finish for your cabinets. This department utilizes a four-step finish process in which the desired stain color is applied and wiped to bring out the natural beauty and texture of the wood specie. A power assisted conveyor drying system is used to assure proper curing and drying. A sanding sealer is then applied and hand buffed. The finish coat is conversion varnish creating an extremely durable surface.



DISCLAIMER: Rosebud reserves the right to improve the product with changes of material or design without obligating itself to incorporate such changes in prior manufactured products. Rosebud's specifications are designed to comply with or exceed the standards set by KCMA and ANSI A161.1 for performance and construction.

